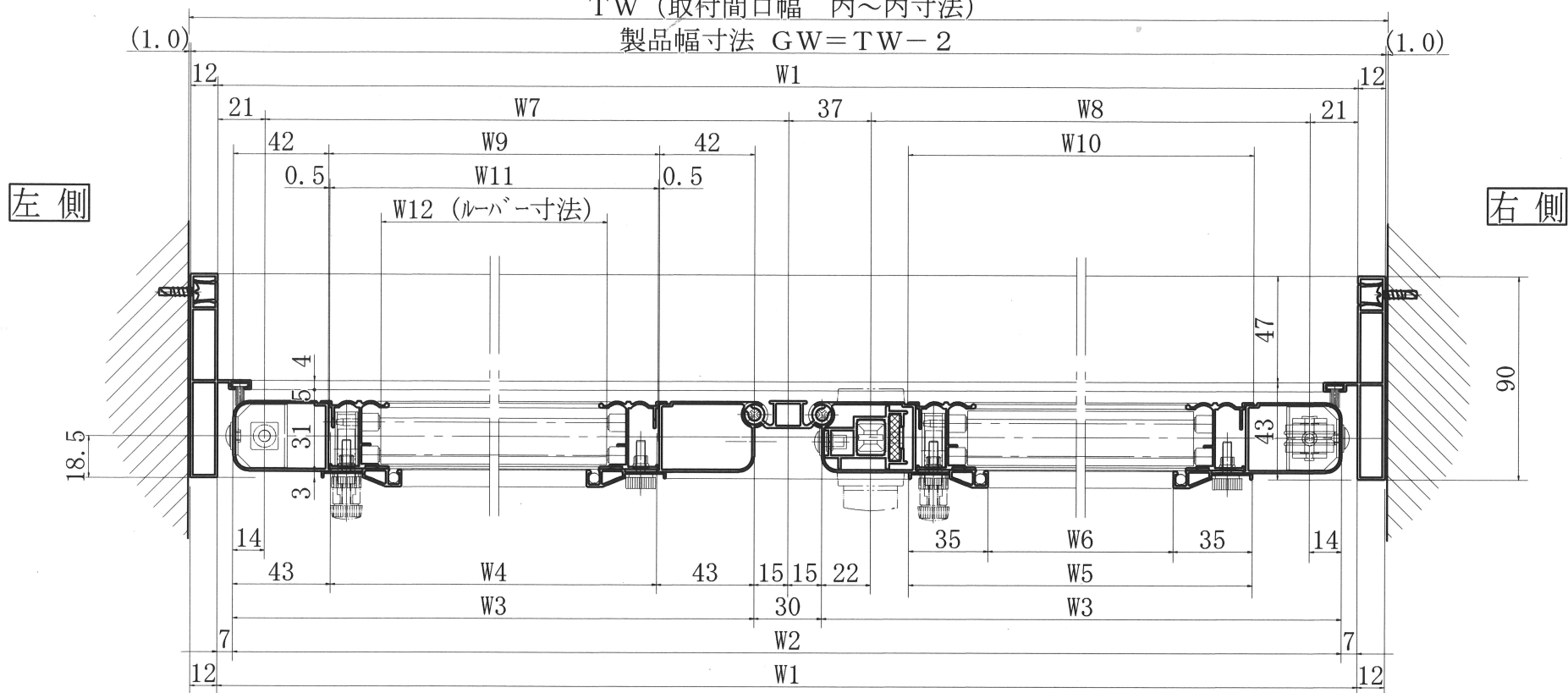


部屋外側

TW (取付間口幅 内~内寸法)

製品幅寸法 $GW = TW - 2$



部屋内側

	W1	W2	W3	W4	W5	W6	W7	W8	W9	W10	W11	W12
公式 GW=製品幅寸法	GW-24	GW-38	$\frac{GW}{2}-34$	$\frac{GW}{2}-120$	$\frac{GW}{2}-112$	$\frac{GW}{2}-182$	$\frac{GW}{2}-33$	$\frac{GW}{2}-70$	$\frac{GW}{2}-118$	$\frac{GW}{2}-111$	$\frac{GW}{2}-119$	$\frac{GW}{2}-164$

HEAT TREATMENT		SURFACE FINISHING		PART NAME Nice Wind's Door 90タイプ平面納り図	
SCALE 0:0 1:2 Free		MATERIAL		PART NUMBER TR5-P02C	
DRAWN BY		DESIGNED BY YAMACHAN		I Z K - 3 3 0 2 S A W	
		CHECKED BY		APPROVED BY	
		23, 10, 29			